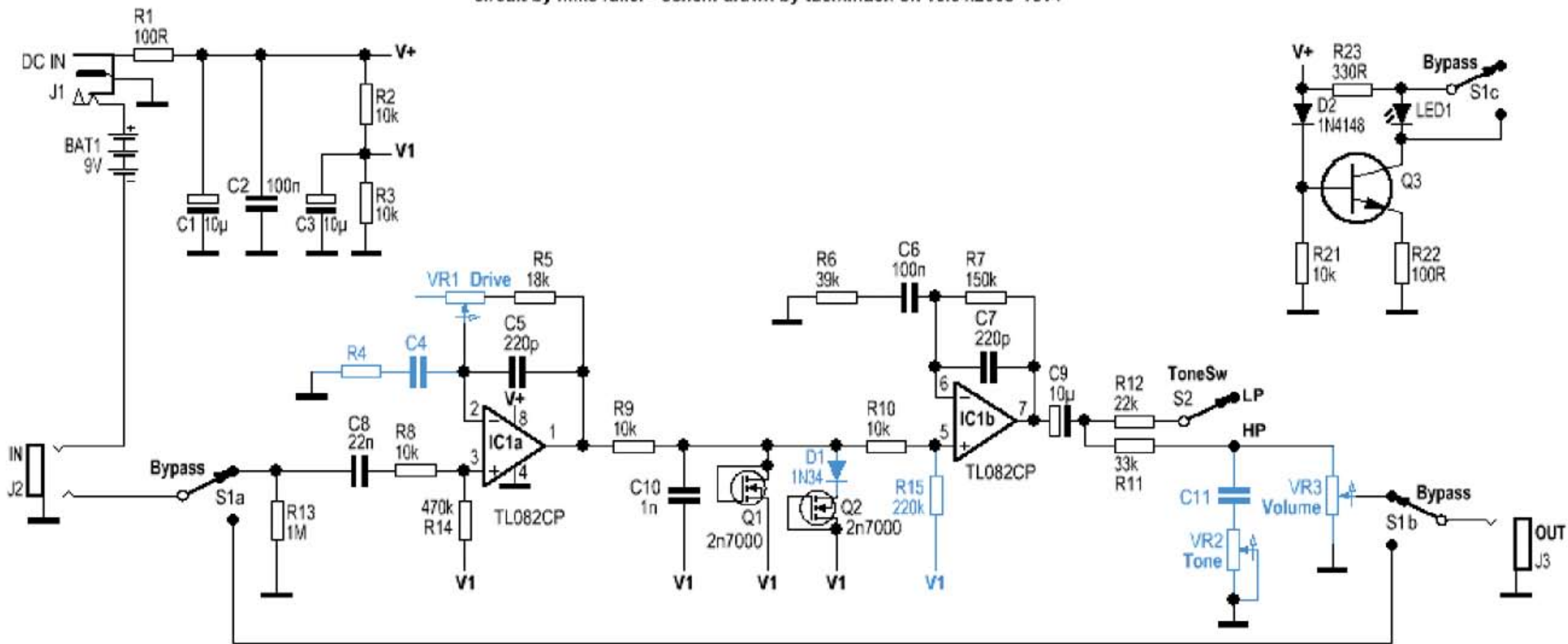


Fulltone OCD

circuit by mike fuller - schem drawn by tuemmueh on 10.04.2008 -rev4



	VR1 [drive]	VR2 [tone]	VR3 [volume]	C11
Rev.1	500kA	25kA	100kB	100n
Rev.2	500kA	25kA	500kB	47n
Rev.3	1MA	10kB	500kB	47n

try the following values for C4/R4:
 100n / 2k2 (markm)
 100n / 4k7 (jhs)
 68n / 2k2 (gnognofasciani)

R15 seems to exist only in a few versions

D1 is added in some versions